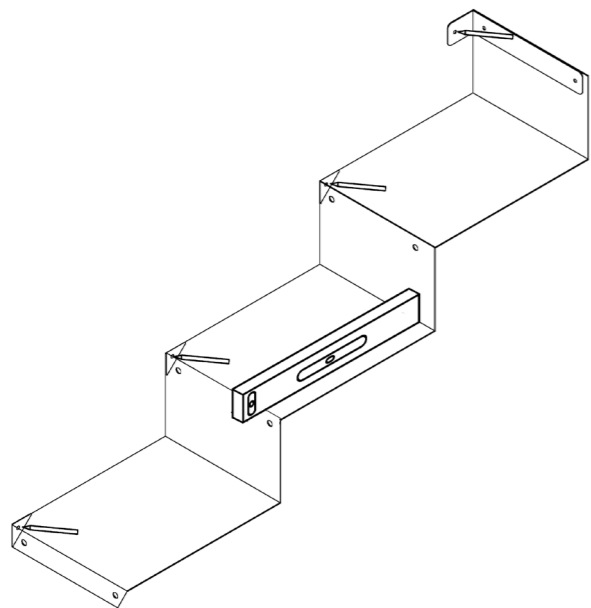
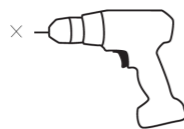


- 4 Place Cloud Steps in its desired place on your wall and mark all the hole points facing the wall. Use a level for this. Repeat this step until all the elements are marked.

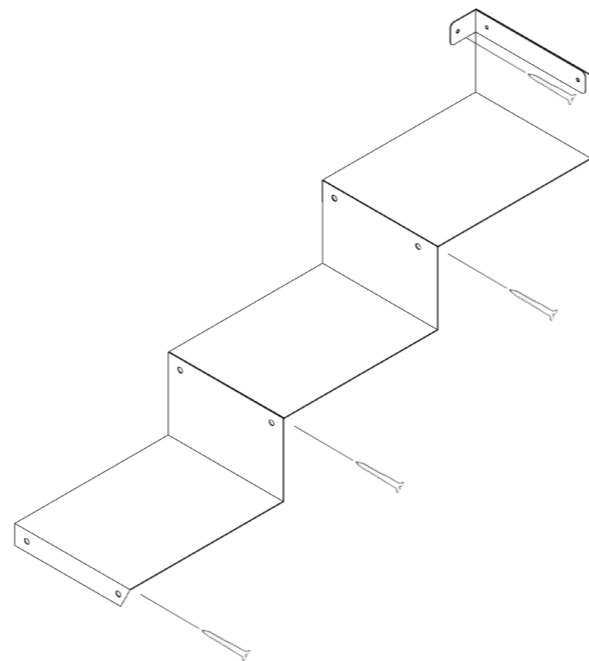


- 5 Drill the marks you made in step 4. Place anchors in holes.



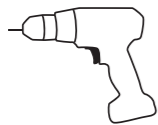
- 6 Line the holes of the Cloud Steps system up with the holes in the wall and attach it by using screws. Repeat this step until all the shelves are mounted.

You are now ready to use your new shelving unit.



## You need

A drill



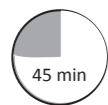
A level



A pencil



15 X screws and anchors

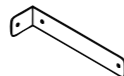


## You got

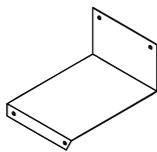
6 x Bookstand (D)



6 x Wall mounting (E)



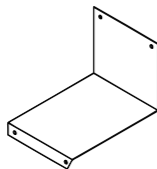
10 x Shelf (A)



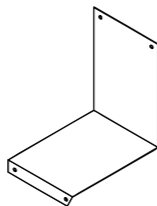
36 x Nylon screw/  
bolt (F)



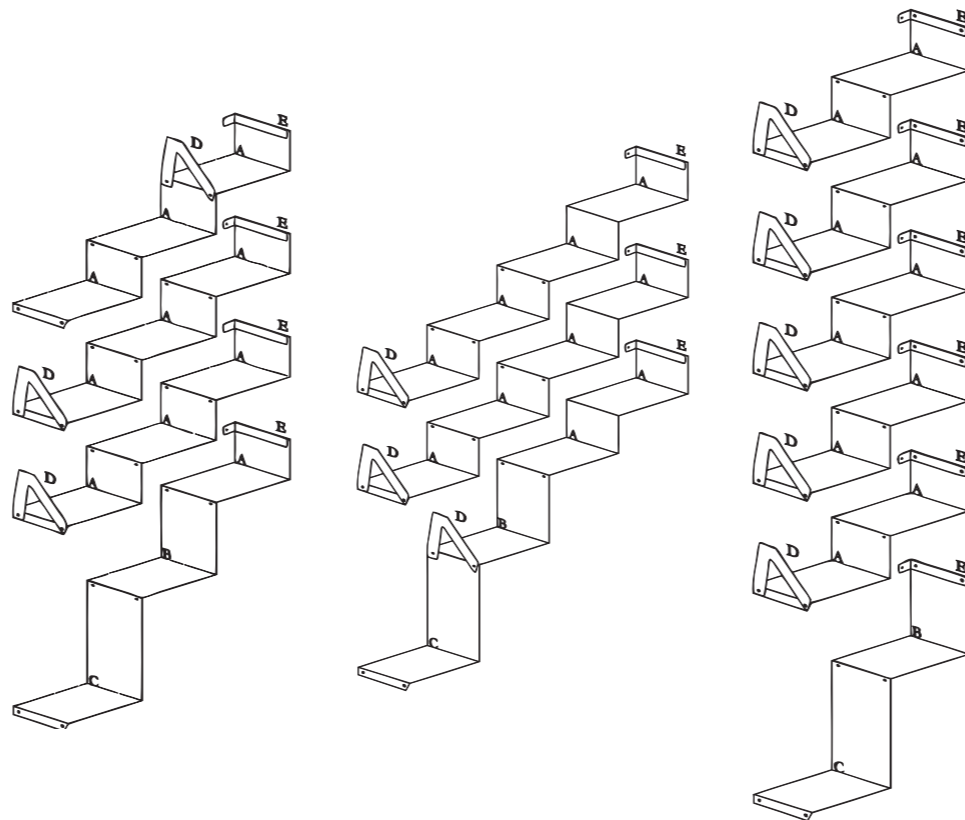
1 x Shelf (B)



1 x Shelf (C)

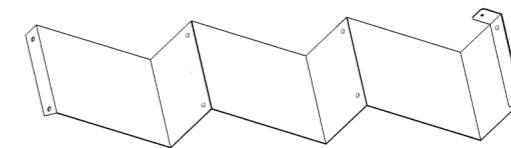


## Arrangements

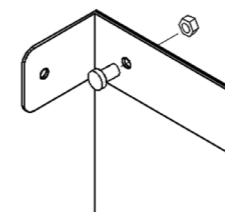


## How to mount

- 1 Decide where and how you would like to arrange the Cloud Steps. Either make your own arrangement or use one of our arrangements, as shown on the previous page.



- 2 By using E as your starting point, build your chosen combination on the floor.



- 3 When the desired combination is achieved, connect all the elements using the nylon screws (F).